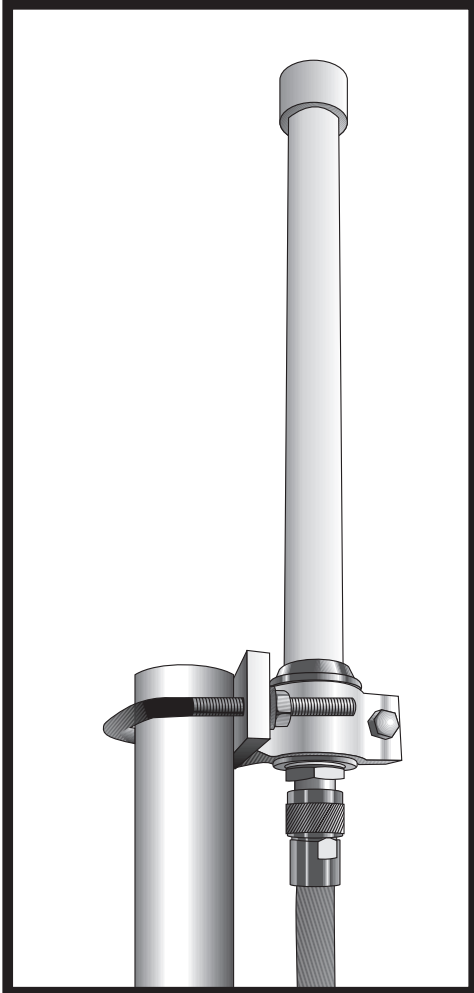


BEAMER

**GSM 900 & 1800
PCS/DECT/UMTS**

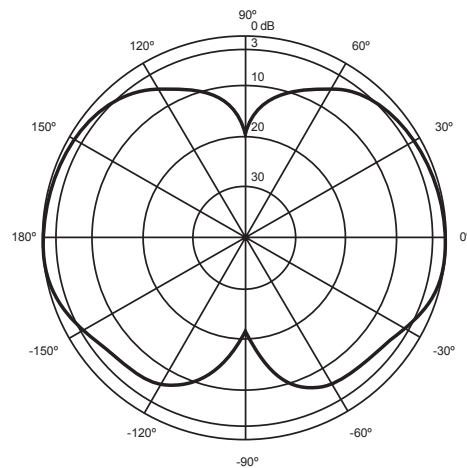
Base Station Antenna Omni-Directional Fibre-Glass

CLX-90220/U

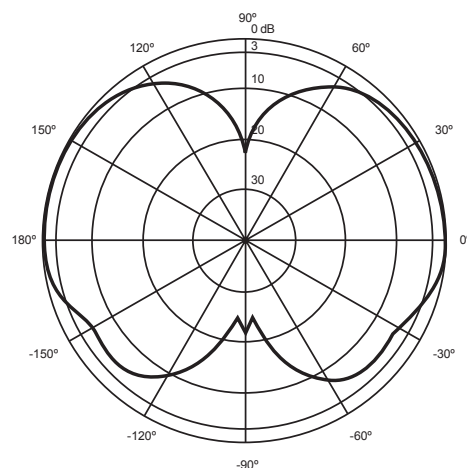


Type	Dipole
Frequency	880-960MHz & 1710-2170MHz
Gain	0dBd
SWR in Bandwidth	880-960MHz <1.7:1 1710-2170MHz <1.6:1
Impedance	50 ohm
Polarisation	Vertical
Power Rating	20 watt
Working Temperature	-30°C ~ +80°C
Wind Resistance	150km/h
Lightning Protection	DC Ground
Connector	N Female
Total Length	Approx. 330mm
Weight	Approx. 0.35kg

VERTICAL RADIATION PATTERN at 880 MHz

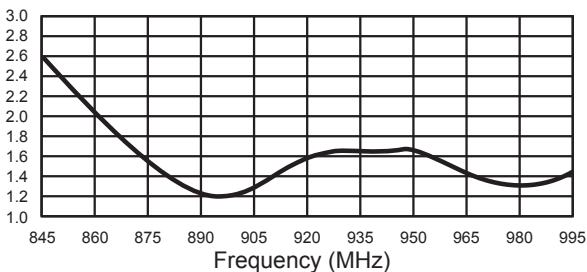


VERTICAL RADIATION PATTERN at 1795 MHz



SWR CHART

Model: CLX-90220/U



SWR CHART

Model: CLX-90220/U

